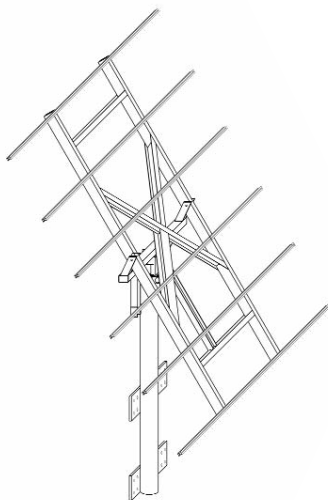
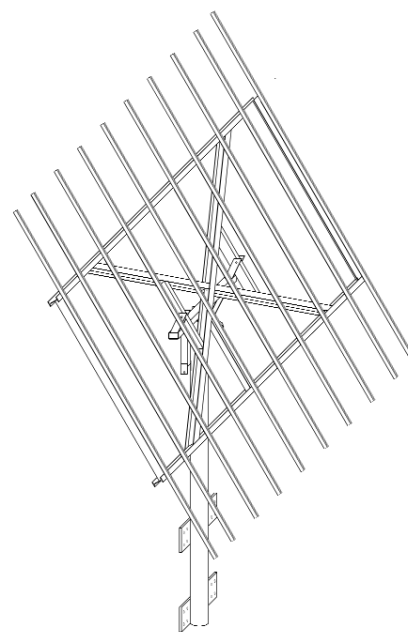


DEGERtraker 3000HD / 5000HD

Dual-axis, active tracking systems



DEGERtraker 3000HD



DEGERtraker 5000HD

DEGERtraker 3000HD / 5000HD

Dual-axis, active tracking systems
suitable for all current solar modules

Areas of application:

- For professional power generation
- For buildings and for installation with different mast lengths.
- For all current modules.

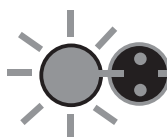
	3000HD	5000HD
For solar energy capacity	2,000 ... 3,800 Wp	4,000 ... 6,400 Wp
Module area up to	25 m ²	40 m ²
Rotation angle east - west	360° with adjustable limit switches	
Elevation inclination angle	20° ... 90°	
Control unit	DEGERconecter	
Energy converter	II or V	
East - west drive	drive integrated in the power head	
Elevation drive	1,000 mm stroke path	1,100 mm stroke path
Internal power consumption: control mode	1 Watt	
with operating drives approx.	7 Watts	
Power consumption per year approx.	8 kWh	9 kWh
Mast height	3.3 ... 5.5 m	
Weight (excluding mast)	500 kg	850 kg
Maintenance	maintenance-free	
Geographic region	25° ... 60° / optional equator to 90th degree of latitude	
Art.no.:	1310001	1510001

The systems are designed in accordance with DIN 1055-4 (03/2005). Project-specific assimilation to regional provisions.
Subject to technical changes for future improvements.

Scope of delivery:

Complete dual-axis tracking system, mast, aluminium solar module carrier system to fit the respective module type, DEGERconecter control electronics with energy converter for extremely economical operation, construction plan.

Available at any time: From your solar equipment retailer.



DEGERenergie
Tracking Systems

DEGERenergie GmbH • 72160 Horb/Germany
info@DEGERenergie.com • www.DEGERenergie.com