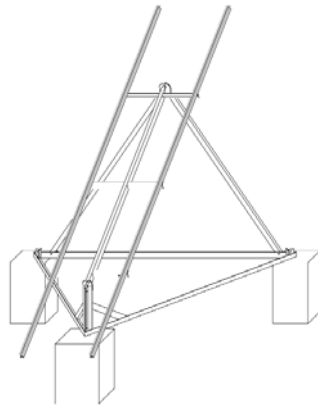
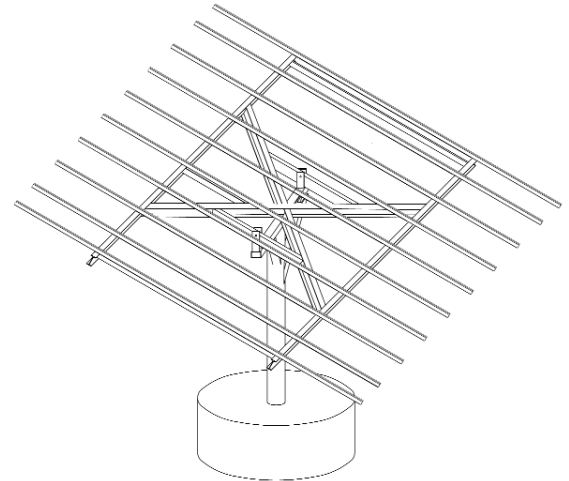


## DEGER TOPtraker® 8.5 / 40NT

### Single-axis, active tracking systems



**DEGER TOPtraker® 8.5**  
with concrete foundation for open land installation



**DEGER TOPtraker® 40NT**

### DEGER TOPtraker® 8.5 / 40NT

Single-axis, active tracking system  
suitable for all current solar modules

#### Areas of application:

- For increased performance for all photovoltaic applications.
- For open spaces and landfills.
- For all current modules.

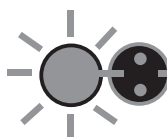
	TOPtraker® 8.5	TOPtraker® 40NT
<b>For solar energy capacity</b>	500 ... 1,290 Wp	4,000 ... 6,400 Wp
<b>Module area up to</b>	8.5 m <sup>2</sup>	40 m <sup>2</sup>
<b>Angle of inclination - south</b>	30°	Standard 30° / optional 0° and 15°
<b>Elevation inclination angle</b>	30° ... 50°	0° ... 45°
<b>Control unit</b>	<b>DEGERconecter</b>	
<b>Operating voltage</b>	20 ... 40 VDC	Energy converter II
<b>East - west drive</b>	420 mm stroke path	850 mm stroke path
<b>Internal power consumption control mode</b>	0.1 Watt	
<b>with operating drives approx.</b>	5 Watts	9 Watts
<b>Power consumption per year approx.</b>	1 kWh	2.5 kWh
<b>Mast height</b>	--	4 m / optional 5 m
<b>Weight</b>	115 kg	650 kg
<b>Maintenance</b>	maintenance-free	
<b>Geographic region</b>	Equator ... 60° latitude	
<b>Art.no.:</b>	1110001	1130001

The systems are designed in accordance with DIN 1055-4 (03/2005). Project-specific assimilation to regional provisions.  
Subject to technical changes for future improvements.

#### Scope of delivery:

Complete tracking system in the optimised azimuth axis, DEGERconecter control electronics, module bearing system in aluminium, compatible with the module type used, installation instructions.

**Available at any time:** From your solar equipment retailer.



**DEGERenergie**  
Tracking Systems

DEGERenergie GmbH • 72160 Horb/Germany  
info@DEGERenergie.com • www.DEGERenergie.com